

## 2 MHz 650 mA Step Down Converter for RF Power Amplifiers in Tiny 8-pin WCSP Package

### FEATURES

- High-Efficiency Step-Down Converter
- Output Current up to 650 mA
- $V_{IN}$  Range From 2.5 to 6.0 V
- 2.0-MHz Fixed-Frequency Operation
- Clock Dithering (TPS62701)
- Dynamic Voltage Control With External Reference (1.3 V to 3.09 V)
- Fast Output-Voltage Settling (1.3 V to 3.09 V in 20  $\mu$ s)
- Soft Start
- Overload Protection
- Undervoltage Lockout
- Thermal Protection
- 8-Pin WCSP Package

### APPLICATIONS

- Cell Phones, Smart Phones
- Battery-Powered RF Amplifier

### DESCRIPTION

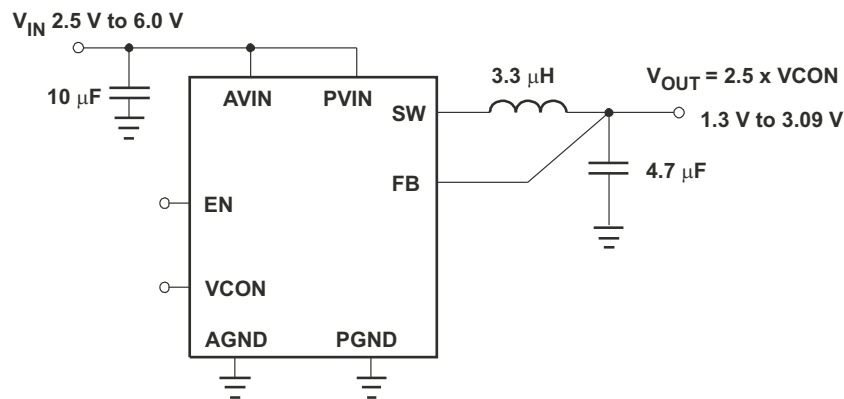
The TPS6270x device is a high-efficiency synchronous step-down DC-DC converter optimized for RF power-amplifier (PA) applications. It provides up to 650 mA of output current from a single Li-Ion cell.

The device converts input voltages from 2.5 to 6.0 V down to an output voltage set by an external analog reference voltage applied to the pin VCON. The output voltage follows the external reference by an internal gain of 2.5 within the limits of 1.3 V to 3.09 V. This scheme adjusts the output voltage of the DC/DC converter and therefore the output power of an RF-PA.

The TPS6270x operates in fixed-frequency PWM mode at a 2.0-MHz switching frequency to minimize RF interference. This converter operates with only three small external components; an input capacitor, inductor and output capacitor. The TPS62701 has in addition a built-in clock-dithering circuit to reduce RF noise.

The TPS6270x is available in a tiny 8 pin lead free WCSP package for smallest solution size.

### TYPICAL APPLICATION



Please be aware that an important notice concerning availability, standard warranty, and use in critical applications of Texas Instruments semiconductor products and disclaimers thereto appears at the end of this data sheet.



These devices have limited built-in ESD protection. The leads should be shorted together or the device placed in conductive foam during storage or handling to prevent electrostatic damage to the MOS gates.

**ORDERING INFORMATION**

TA	PART NUMBER <sup>(1)</sup>	PACKAGE	ORDERING	PACKAGE MARKING
–30°C to 85°C	TPS62700	WCSP 8 pin	TPS62700YZF	CKL
	TPS62701		TPS62701YZF	CGJ

(1) The package is available in tape on reel. Add R suffix to order quantities of 3000 parts per reel.

**ABSOLUTE MAXIMUM RATINGS**

over operating free-air temperature range (unless otherwise noted)<sup>(1)</sup>

	VALUE	UNIT
Input voltage range <sup>(2)</sup>	–0.3 to 7	V
Voltage range at EN, VCON <sup>(2)</sup>	–0.3 to V <sub>IN</sub> +0.3, ≤ 7	V
Voltage on SW <sup>(2)</sup>	–0.3 to 7	V
Peak output current <sup>(2)</sup>	internally limited	
ESD rating <sup>(3)</sup>	HBM Human body model	2
	Machine model	200
T <sub>J</sub> Maximum operating junction temperature	–40 to 150	°C
T <sub>stg</sub> Storage temperature range	–65 to 150	°C

- (1) Stresses beyond those listed under *absolute maximum ratings* may cause permanent damage to the device. These are stress ratings only and functional operation of the device at these or any other conditions beyond those indicated under *recommended operating conditions* is not implied. Exposure to absolute–maximum–rated conditions for extended periods may affect device reliability.
- (2) All voltage values are with respect to network ground terminal.
- (3) The human body model is a 100 pF capacitor discharged through a 1.5 kΩ resistor into each pin. The machine model is a 200 pF capacitor discharged directly into each pin.

**DISSIPATION RATINGS<sup>(1) (2)</sup>**

PACKAGE	R <sub>θJA</sub>	POWER RATING FOR T <sub>A</sub> ≤ 25°C	DERATING FACTOR ABOVE T <sub>A</sub> = 25°C
YZF	110°C/W	900 mW	9 mW/°C

- (1) Maximum power dissipation is a function of T<sub>J</sub>(max), θ<sub>JA</sub> and T<sub>A</sub>. The maximum allowable power dissipation at any allowable ambient temperature is P<sub>D</sub> = [T<sub>J</sub>(max) – T<sub>A</sub>] / θ<sub>JA</sub>.
- (2) This thermal data is measured with high-K board (4 layers board according to JESD51-7 JEDEC standard).

**RECOMMENDED OPERATING CONDITIONS**

over operating free-air temperature range (unless otherwise noted)

	MIN	NOM	MAX	UNIT
V <sub>IN</sub> , AV <sub>IN</sub> , PV <sub>IN</sub> Supply voltage	2.5		6	V
T <sub>A</sub> Operating ambient temperature	–40		85	°C
T <sub>J</sub> Operating junction temperature	–40		125	°C

## ELECTRICAL CHARACTERISTICS

$PV_{IN} = AV_{IN} = V_{IN} = 3.6\text{ V}$ ,  $EN = AV_{IN}$ ,  $T_A = T_J = -40^{\circ}\text{C}$  to  $85^{\circ}\text{C}$  typical values are at  $T_A = 25^{\circ}\text{C}$  (unless otherwise noted), see parameter measurement information

PARAMETER		TEST CONDITIONS	MIN	TYP	MAX	UNIT	
<b>SUPPLY</b>							
$AV_{IN}$ , $PV_{IN}$	Input voltage range	$I_{OUT\ max} = 650\text{ mA}$	2.5		6	V	
$I_{OUT}$	Output current	$V_{IN} = 2.5\text{ to }6\text{ V}$			650	mA	
$I_Q$	Operating quiescent current into $AV_{IN}$	$V_{CON} = 1\text{ V}$ , $FB = 0\text{ V}$ , $V_{IN} = 3.6\text{ V}$ , device not switching <sup>(1)</sup>		0.1	0.3	mA	
$I_{SD}$	Shutdown current	$EN = SW = V_{CON} = AGND$ , $AV_{IN} = PV_{IN} = 3.6\text{ V}$		0.01	2	$\mu\text{A}$	
<b>ENABLE</b>							
$V_{IH}$	High Level Input Voltage, EN		1.2		$V_{IN}$	V	
$V_{IL}$	Low Level Input Voltage, EN		0		0.4	V	
$I_{IN}$	Input bias Current, EN	$EN = AV_{IN}$		5	10	$\mu\text{A}$	
<b>CONTROL INPUT <math>V_{CON}</math></b>							
$V_{VCON, MIN}$	$V_{CON}$ Threshold forcing $V_{FB, MIN}$	Falling $V_{CON}$ signal	0.484	0.52	0.556	V	
$V_{VCON, MAX}$	$V_{CON}$ Threshold forcing $V_{FB, MAX}$	Rising $V_{CON}$ signal	1.211	1.236	1.26	V	
$Z_{VCON}$	$V_{CON}$ Input resistance		100			k $\Omega$	
$C_{VCON}$	$V_{CON}$ Input capacitance	$V_{CON} = 1\text{ V}$ , $f = 100\text{ kHz}$			20	pF	
$I_{IN\ VCON}$	$V_{CON}$ Input current				10	$\mu\text{A}$	
Gain	Internal Gain $V_{OUT}/V_{CON}$	$0.556\text{ V} \leq V_{CON} \leq 1.208\text{ V}$		2.5			
<b>POWER SWITCH</b>							
$R_{DS(ON)}$	High side MOSFET on-resistance	$PV_{IN} = V_{GS} = 3.6\text{ V}$	$T_A = T_J = 25^{\circ}\text{C}$	100	140	230	m $\Omega$
			$T_A = T_J = -40^{\circ}\text{C}$ to $85^{\circ}\text{C}$			270	
	Low-Side MOSFET on-resistance	$PV_{IN} = V_{GS} = 3.6\text{ V}$	$T_A = T_J = 25^{\circ}\text{C}$	180	200	330	m $\Omega$
			$T_A = T_J = -40^{\circ}\text{C}$ to $85^{\circ}\text{C}$			430	
$I_{LIMF}$	Forward current limit MOSFET high side and low side	$PV_{IN} = 3.6\text{ V}$	935	1100	1200	mA	
<b>OSCILLATOR</b>							
$f_{SW}$	Oscillator frequency	$3\text{ V} < V_{IN} < 5\text{ V}$	1.7	2.0	2.3	MHz	
<b>FEEDBACK/OUTPUT</b>							
$V_{FB, MIN}$	Minimum feedback voltage	$V_{CON} = 0.4\text{ V}$ <sup>(2)(3)</sup>	1.25	1.3	1.35	V	
$V_{FB}$	Feedback voltage	$V_{CON} = 1.1\text{ V}$ <sup>(2)(3)</sup>	2.693	2.75	2.835	V	
$V_{FB, MAX}$	Maximum feedback voltage	$V_{CON} = 1.4\text{ V}$ <sup>(2)(3)</sup>	3.028	3.09	3.15	V	
Linearity	Linearity in $V_{CON}$ range 0.556 V to 1.208 V	<sup>(2)</sup> <sup>(3)</sup>	-2		2	%	
$T_{RESPONSE}$	$V_{OUT}$ Rise time from 1.3 V to 3.09 V	$V_{IN} = 4.2\text{ V}$ , $C_{OUT} = 4.7\text{ }\mu\text{F}$ , $L = 3.3\text{ }\mu\text{H}$ , $R_{LOAD} = 5\text{ }\Omega$ <sup>(3)(4)</sup>		20	30	$\mu\text{s}$	
	$V_{OUT}$ Fall time from 3.09 V to 1.3 V	$V_{IN} = 4.2\text{ V}$ , $C_{OUT} = 4.7\text{ }\mu\text{F}$ , $L = 3.3\text{ }\mu\text{H}$ , $R_{LOAD} = 10\text{ }\Omega$ <sup>(3)(4)</sup>		20	30		
$T_{ON}$	Start-up Time	From Enable low to high transition until $V_{OUT}$ reaches 3.09 V, $C_{OUT} = 4.7\text{ }\mu\text{F}$ , $L = 3.3\text{ }\mu\text{H}$ , $I_{OUT} \leq 1\text{ mA}$		190	300	$\mu\text{s}$	
$\eta$	Efficiency ( $L = 3.3\text{ }\mu\text{H}$ , $DCR \leq 100\text{ m}\Omega$ )	$V_{IN} = 3.6\text{ V}$ , $V_{OUT} = 1.3\text{ V}$ , $I_{OUT} = 150\text{ mA}$ <sup>(5)(3)</sup>		87		%	
		$V_{IN} = 3.6\text{ V}$ , $V_{OUT} = 3.09\text{ V}$ , $I_{OUT} = 400\text{ mA}$ <sup>(5)(3)</sup>		95			
$V_{OUT\_RIPPLE}$	Ripple voltage, PWM mode	$V_{IN} = 3\text{ V}$ to $4.5\text{ V}$ , $V_{OUT} = 1.3\text{ V}$ , $I_{OUT} = 10\text{ mA}$ to $400\text{ mA}$ <sup>(3)</sup>		10		mV <sub>p-p</sub>	
Line_tr	Line transient response	$V_{IN} = 600\text{ mV}$ step, over $V_{IN}$ range 3 V to 5.5 V $T_{RISE} = T_{FALL} = 10\text{ }\mu\text{s}$ , $V_{OUT} = 1.3\text{ V}$ , $I_{OUT} = 100\text{ mA}$ <sup>(3)</sup>		50		mV <sub>pk</sub>	
Load_tr	Load transient response	$V_{IN} = 3.1/3.6/4.5\text{ V}$ , $V_{OUT} = 1.3\text{ V}$ , transients 0 mA to 100 mA, $T_{RISE} = T_{FALL} = 10\text{ }\mu\text{s}$ <sup>(3)</sup>		50		mV <sub>pk</sub>	

(1) Device operating in 100% duty cycle mode

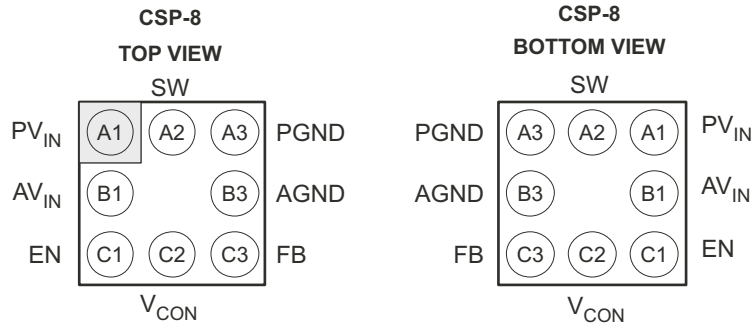
(2)  $2.5\text{ V} \leq V_{IN} \leq 6\text{ V}$ , with  $V_{IN\_MIN} = V_{OUT} + 0.5\text{ V}$

(3) The voltage need to be measured on the  $C_{OUT}$  using appropriate measurement probes. For the measurements, a proper PCB layout and usage of recommended inductors and capacitors are essential. See parameter measurement information.

(4) Rise/Fall time valid for  $V_{FB}$  within specified limits.

(5) Using appropriate inductor with  $R_{(DCR)}$  less than 100 m $\Omega$

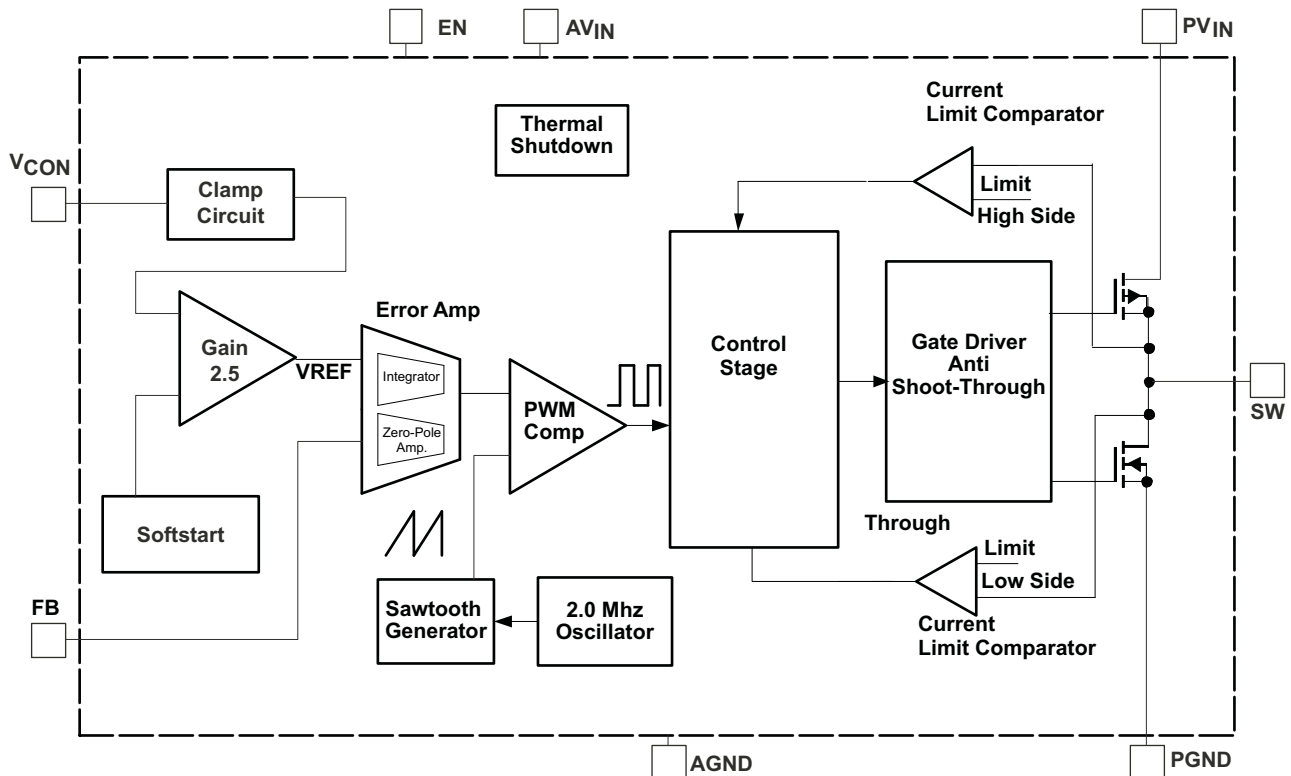
**PIN ASSIGNMENTS**



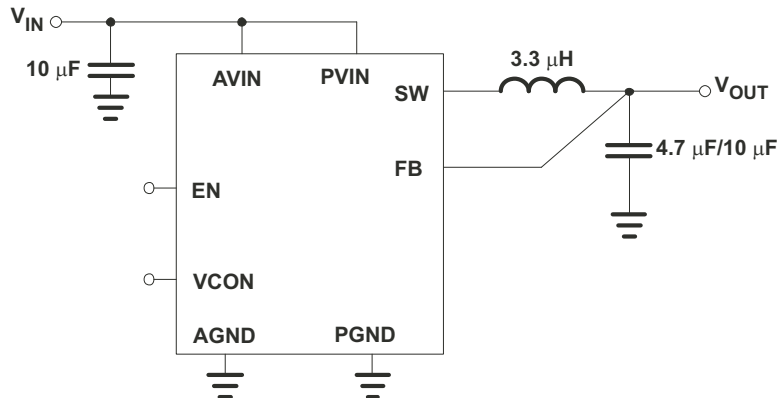
**TERMINAL FUNCTIONS**

TERMINAL		I/O	DESCRIPTION
NAME	NO. CSP		
PV <sub>IN</sub>	A1	PWR	V <sub>IN</sub> power supply input for the PMOSFET
AV <sub>IN</sub>	B1	PWR	V <sub>IN</sub> analog supply input for the internal analog circuitry
EN	C1	I	Enable input for the device. Set high for operation, low for shutdown. This pin must be terminated.
V <sub>CON</sub>	C2	I	Voltage control input. This pin controls the output voltage of the converter. The output voltage follows V <sub>CON</sub> with a gain of 2.5 for 0.556 V ≤ V <sub>CON</sub> ≤ 1.208 V.
FB	C3	I	Analog Feedback Input Pin for the internal regulation loop. Connect this pin directly to the output capacitor.
AGND	B3	I	Analog GND Pin for the internal analog circuitry.
PGND	A3		Power GND Pin for the NMOSFET
SW	A2		Switch Node to the internal PMOSFET and NMOSFET. Connect the external inductor between this pin and the output capacitor.

**FUNCTIONAL BLOCK DIAGRAM**



## PARAMETER MEASUREMENT INFORMATION



L: LPS4018 3.3 µH, DCR 70 mΩ/MLF3014A 3.3 µH DCR 150 mΩ  
 C<sub>IN</sub>: GRM188R60J106M 10 µF Murata 0603 size  
 C<sub>OUT</sub>: GRM188R60J106M 10 µF Murata 0603 size  
 GRM188Ru60J475K 4.7 µF Murata 0603 size

## DETAILED DESCRIPTION

### OPERATION

The TPS6270x step down converter operates at a 2.0-MHz fixed frequency using pulse-width modulation (PWM) over the entire load range. This ensures low output-voltage ripple for RF-PA power applications.

In PWM operation, the converter uses a unique fast-response voltage-mode control scheme to achieve good line and load regulation, allowing the use of small ceramic input and output capacitors.

At the beginning of each clock cycle initiated by the clock signal, the High-Side MOSFET switch is turned on. The current flows from the input capacitor via the High-Side MOSFET switch through the inductor to the output capacitor and load. During this phase, the current ramps up until the PWM comparator trips and the control logic turns off the switch. The current limit comparator also turns off the switch when the current limit of the High-Side MOSFET switch is exceeded. After a short dead time to prevent shoot-through, the Low-Side MOSFET rectifier is turned on, and the inductor current ramps down. The current then flows from the inductor to the output capacitor and to the load. It turns back to the inductor through the Low-Side MOSFET rectifier.

The next cycle is initiated by the clock signal turning off the Low-Side MOSFET rectifier and turning on the High-Side MOSFET switch.

### Dynamic Output Voltage Control V<sub>CON</sub>

The output voltage of TPS6270x can be dynamically adjusted with an external analog voltage applied to the pin V<sub>CON</sub>. This voltage is typically supplied from an external DAC to adjust the supply voltage for the RF Power amplifier, and therefore to determine the RF output power. The output voltage is set to :  $V_{OUT} = 2.5 \times V_{CON}$ .

The output voltage can be set in the range between V<sub>FB, MIN</sub> (1.3 V) and V<sub>FB, MAX</sub> (3.09 V). The device provides an internal voltage gain factor of 2.5. For dynamic voltage adjustment the V<sub>CON</sub> voltage range is between V<sub>CON, MIN</sub> (0.52 V) and V<sub>CON, MAX</sub> (1.24 V). In Case the V<sub>CON</sub> voltage is out of this range, the output voltage is internally limited to V<sub>FB, MIN</sub> (1.3 V) and V<sub>FB, MAX</sub> (3.09 V). This allows using the TPS6270x as a fixed output voltage converter where the V<sub>CON</sub> Pin is connected, for example, to GND or V<sub>IN</sub>.

### 100% Duty Cycle Low Dropout Operation

The device starts to enter 100% duty-cycle mode when the input voltage approaches the nominal output voltage. In order to maintain the output voltage, the High-Side MOSFET switch is turned on 100% for one or more cycles.

With further decreases of  $V_{IN}$ , the High-Side MOSFET switch is turned on completely. In this case, the converter offers a low input-to-output voltage difference. This is particularly useful in battery-powered applications to achieve longest operation time by taking full advantage of the entire battery voltage range. The minimum input voltage to maintain regulation depends on the load current and output voltage, and can be calculated as:

$$V_{IN\_MIN} = V_{OUT\_MIN} + I_{OUT\_MAX} \times (R_{DSON\_MAX} + R_L) \tag{1}$$

With:

- $I_{OUT\_MAX}$  = maximum output current plus inductor ripple current
- $R_{DSON\_MAX}$  = maximum P-channel switch  $R_{DSON}$ .
- $R_L$  = DC resistance of the inductor
- $V_{OUT\_MAX}$  = nominal output voltage plus maximum output voltage tolerance

### ENABLE

The device is enabled by setting the EN pin to high and at first the internal circuits are settled. Afterwards the device activates the soft start circuit and ramps up the output voltage. The output voltage is ramped up from 0 V to 3.09 V within typically 190  $\mu$ s after the EN pin changes from low to high. A low signal at the EN pin sets the device in Shutdown Mode with less than 2  $\mu$ A current consumption.

### SHORT-CIRCUIT PROTECTION

The High-Side and Low-Side MOSFET switches are protected with maximum output current =  $I_{LIMF}$  in case a short circuit on the output occurs. When the High-Side MOSFET reaches its current limit, it is turned off, and the Low-Side MOSFET switch is turned on. The High-Side MOSFET switch can only turn on again, after the current in the Low-Side MOSFET switch decreases below its current limit.

### THERMAL SHUTDOWN

As soon as the junction temperature,  $T_J$ , exceeds 150°C (typical) the device goes into thermal shutdown. In this mode, the High-Side and Low-Side MOSFETs are turned-off. The device continues its operation when the junction temperature falls by typical 20°C.

### UNDERVOLTAGE LOCKOUT

The device stops operation at typ. 1.5 V with falling input voltage and starts operation at typ. 1.7 V with rising input voltage. This prevents malfunction of the device due to low input voltage.

### CLOCK DITHERING

In order to reduce switch frequency harmonics in the higher RF bands, the TPS62701 has a built-in clock-dithering circuit.

## TYPICAL CHARACTERISTICS

### Typical Characteristic Graphs

		FIGURE
Switching Frequency	vs Input Voltage ( $V_{IN}$ )	Figure 1
$R_{DSON}$	vs $V_{IN}$ , N-Channel	Figure 2
$R_{DSON}$	vs $V_{IN}$ , P-Channel	Figure 3
Shutdown Current ( $I_{SD}$ )	vs Temperature	Figure 4
Quiescent Current ( $I_Q$ ) into AVIN	vs $V_{IN}$	Figure 5
EN High Threshold Voltage	vs $V_{IN}$	Figure 6
Efficiency	vs Output Current	Figure 7
Efficiency	vs Output Current	Figure 8
Efficiency	vs Output Voltage	Figure 9
Efficiency	vs Output Voltage	Figure 10

**TYPICAL CHARACTERISTICS (continued)**  
**Typical Characteristic Graphs (continued)**

		<b>FIGURE</b>
Output Voltage	vs Output Current ( $V_{OUT} = 1.3\text{ V}$ , $T_A = 25^\circ\text{C}$ )	<a href="#">Figure 11</a>
Output Voltage	vs Output Current ( $V_{OUT} = 1.3\text{ V}$ , $T_A = -40^\circ\text{C}$ )	<a href="#">Figure 12</a>
Output Voltage	vs Output Current ( $V_{OUT} = 1.3\text{ V}$ , $T_A = 85^\circ\text{C}$ )	<a href="#">Figure 13</a>
Output Voltage	vs Output Current ( $V_{OUT} = 2.75\text{ V}$ , $T_A = 25^\circ\text{C}$ )	<a href="#">Figure 14</a>
Output Voltage	vs Output Current ( $V_{OUT} = 2.75\text{ V}$ , $T_A = -40^\circ\text{C}$ )	<a href="#">Figure 15</a>
Output Voltage	vs Output Current ( $V_{OUT} = 2.75\text{ V}$ , $T_A = 85^\circ\text{C}$ )	<a href="#">Figure 16</a>
Output Voltage	vs Output Current ( $V_{OUT} = 3.09\text{ V}$ , $T_A = 25^\circ\text{C}$ )	<a href="#">Figure 17</a>
Output Voltage	vs Output Current ( $V_{OUT} = 3.09\text{ V}$ , $T_A = -40^\circ\text{C}$ )	<a href="#">Figure 18</a>
Output Voltage	vs. $V_{CON}$ Voltage ( $V_I = 4.2\text{ V}$ )	<a href="#">Figure 19</a>
Output Voltage	vs Output Current ( $V_{OUT} = 3.09\text{ V}$ , $T_A = 85^\circ\text{C}$ )	<a href="#">Figure 20</a>
Output Voltage $V_{OUT}$	vs $V_{CON}$ Voltage	<a href="#">Figure 21</a>
VCON Max Threshold	$V_{OUT}$ $T_A = 25^\circ\text{C}$	<a href="#">Figure 22</a>
VCON Max Threshold	$V_{OUT}$ $T_A = 85^\circ\text{C}$	<a href="#">Figure 23</a>
VCON Max Threshold	$V_{OUT}$ $T_A = -40^\circ\text{C}$	<a href="#">Figure 24</a>
VCON Min Threshold	$V_{OUT}$ $T_A = 25^\circ\text{C}$	<a href="#">Figure 25</a>
VCON Min Threshold	$V_{OUT}$ $T_A = 85^\circ\text{C}$	<a href="#">Figure 26</a>
VCON Min Threshold	$V_{OUT}$ $T_A = -40^\circ\text{C}$	<a href="#">Figure 27</a>
Load Transient Response $V_{OUT} = 1.3\text{ V}$		<a href="#">Figure 28</a>
Load Transient Response $V_{OUT} = 3.09\text{ V}$		<a href="#">Figure 29</a>
Load Transient Response $V_{OUT} = 3.09\text{ V}$		<a href="#">Figure 30</a>
Load Transient Response $V_{OUT} = 3.09\text{ V}$		<a href="#">Figure 31</a>
PWM Mode Operation $V_{OUT} = 1.3\text{ V}$		<a href="#">Figure 32</a>
PWM Mode Operation $V_{OUT} = 3.09\text{ V}$		<a href="#">Figure 33</a>
Output Voltage Ripple At High Duty Cycle Operation		<a href="#">Figure 34</a>
VCON Voltage Response		<a href="#">Figure 35</a>
VCON Output Voltage Response And Synchronous Applied Load Transient		<a href="#">Figure 36</a>
Startup $V_{OUT} 1.3\text{ V}$		<a href="#">Figure 37</a>
Startup $V_{OUT} 3.09\text{ V}$		<a href="#">Figure 38</a>
Line Transient Response		<a href="#">Figure 39</a>

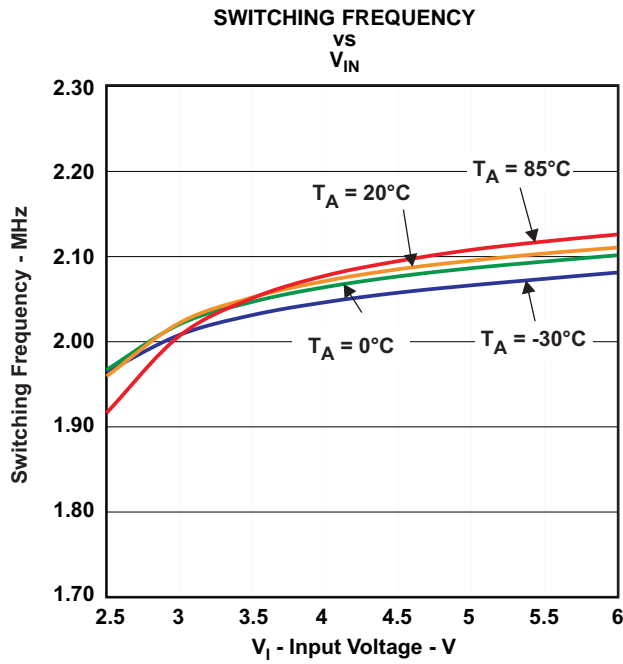


Figure 1.

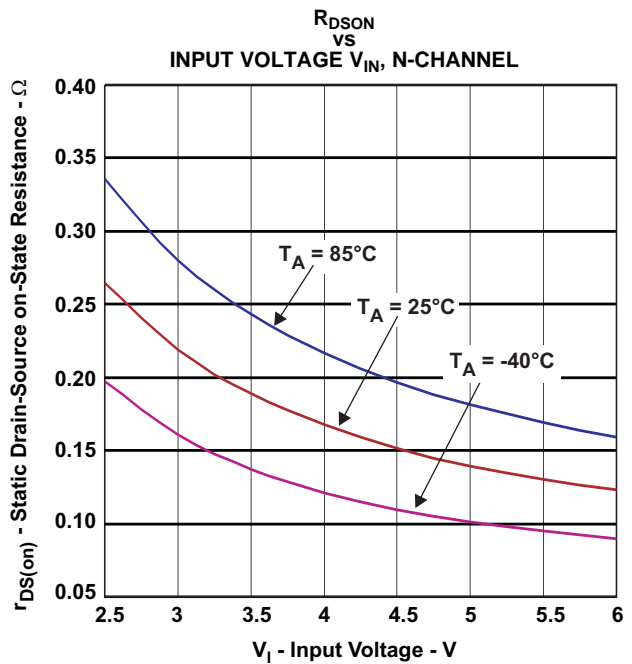


Figure 2.

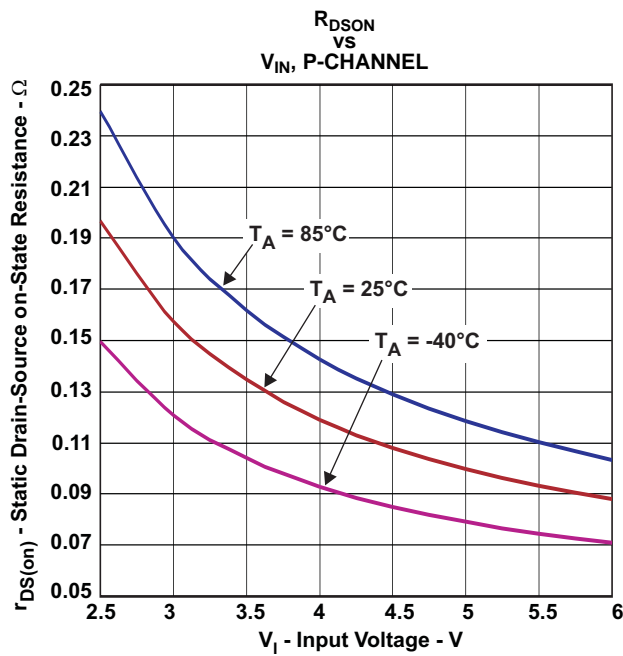


Figure 3.

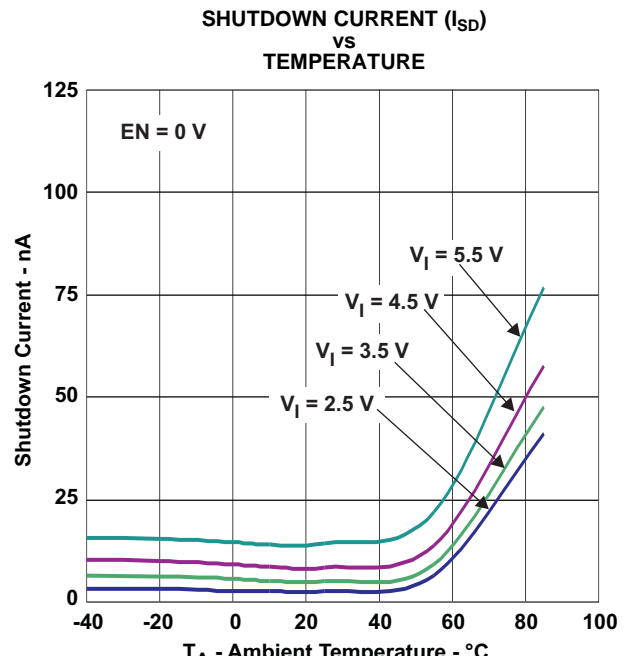


Figure 4.



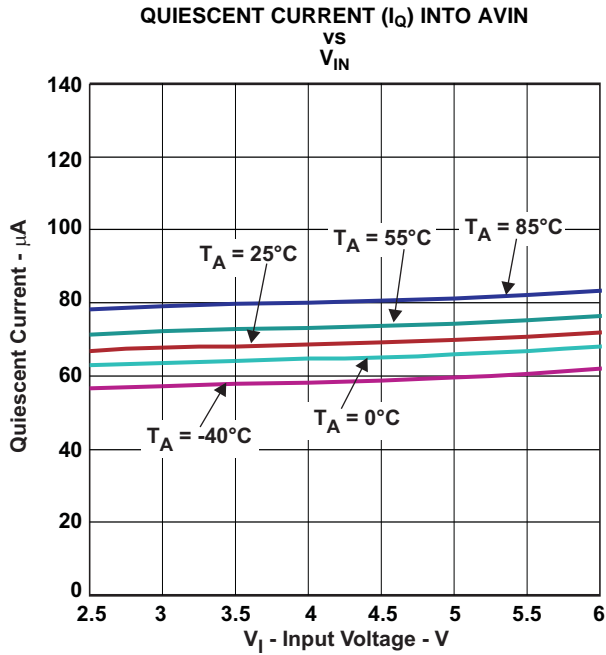


Figure 5.

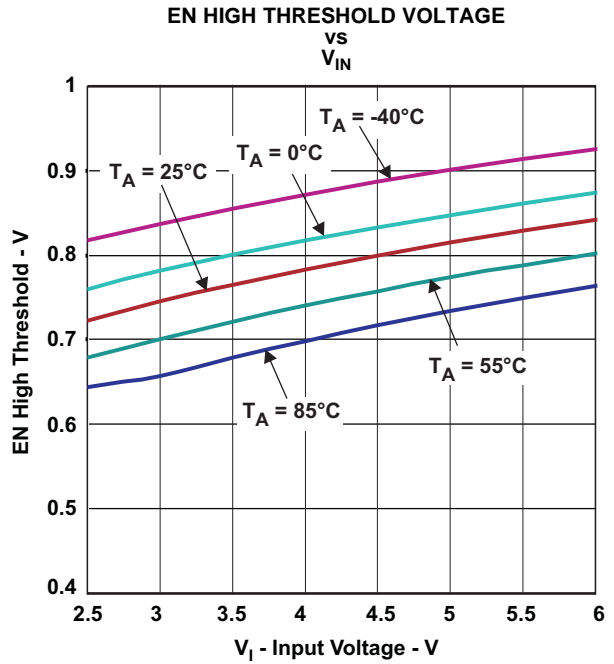


Figure 6.

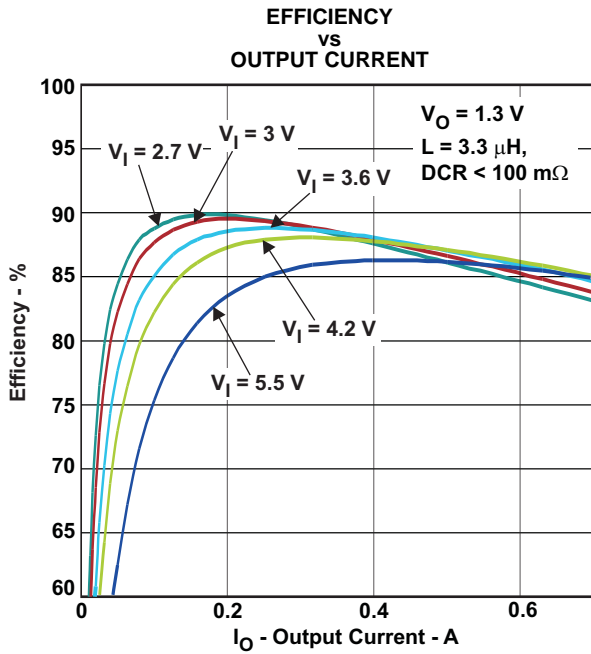


Figure 7.

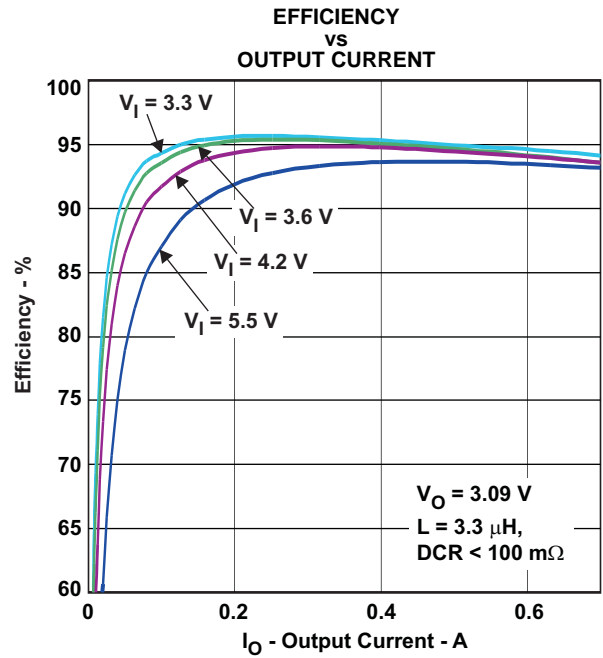


Figure 8.

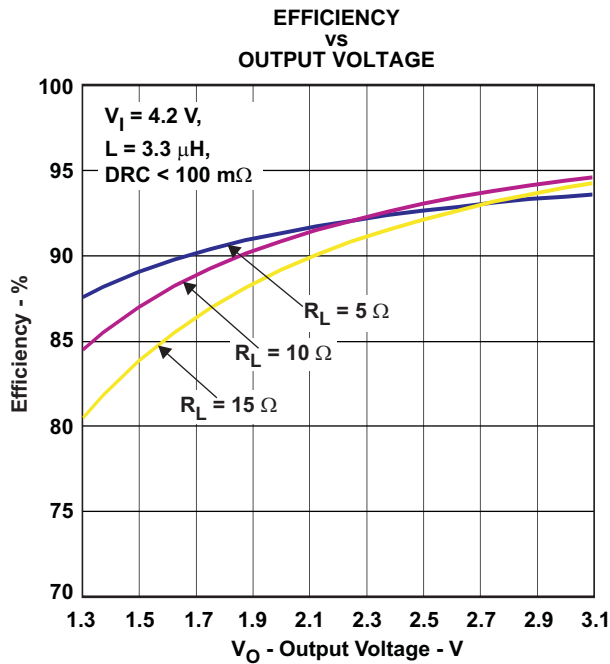


Figure 9.

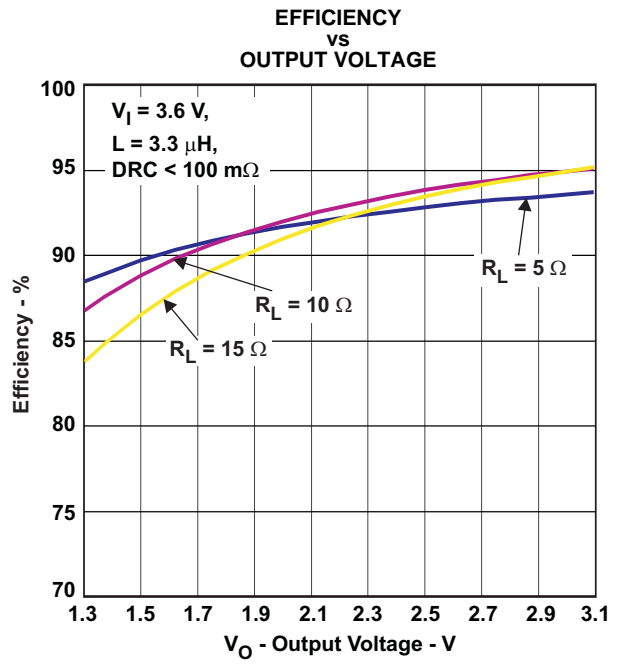


Figure 10.

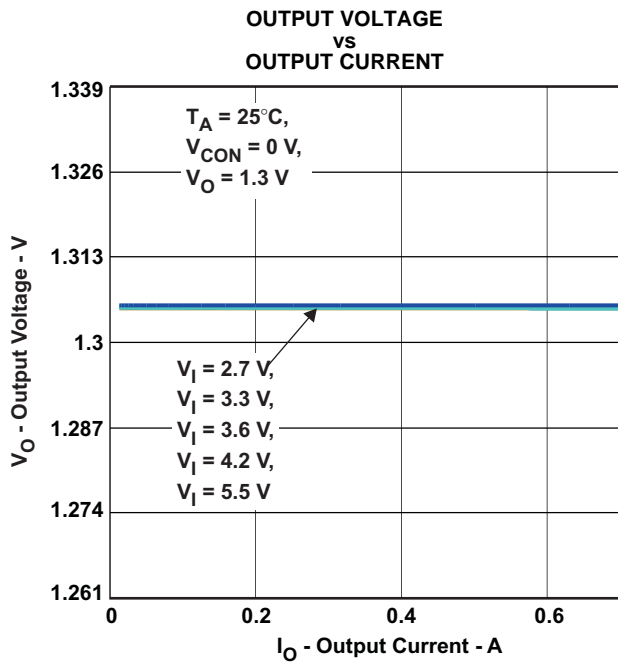


Figure 11.

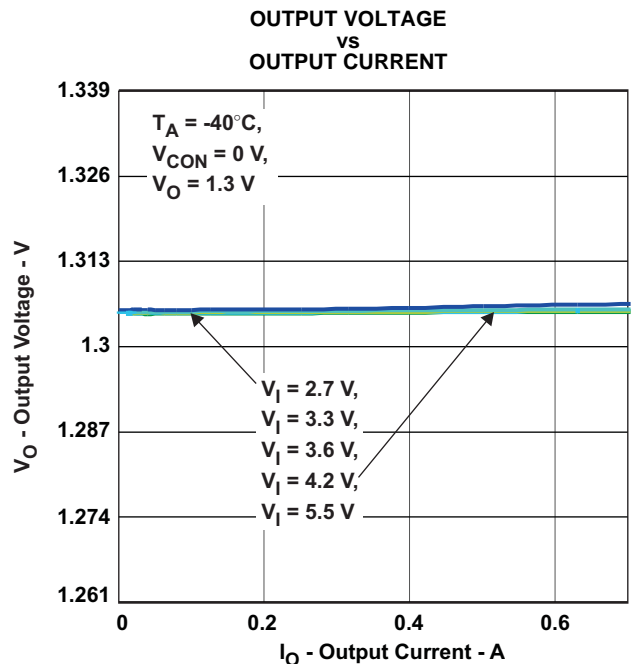


Figure 12.

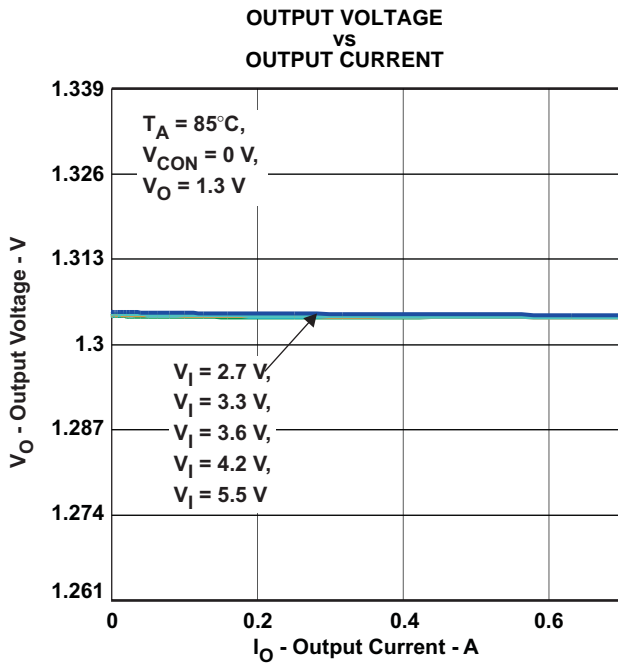


Figure 13.

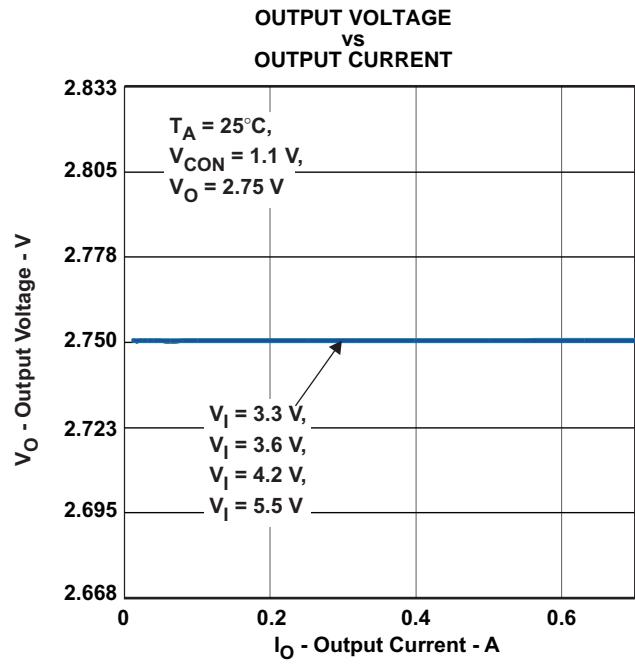


Figure 14.

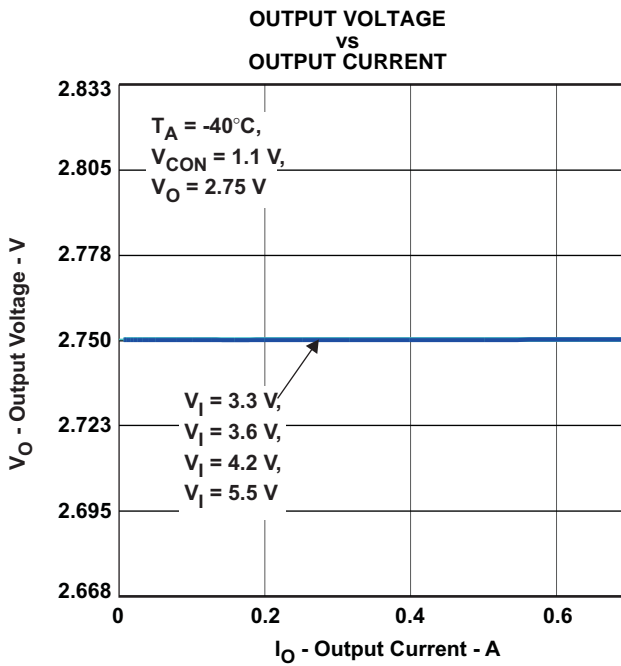


Figure 15.

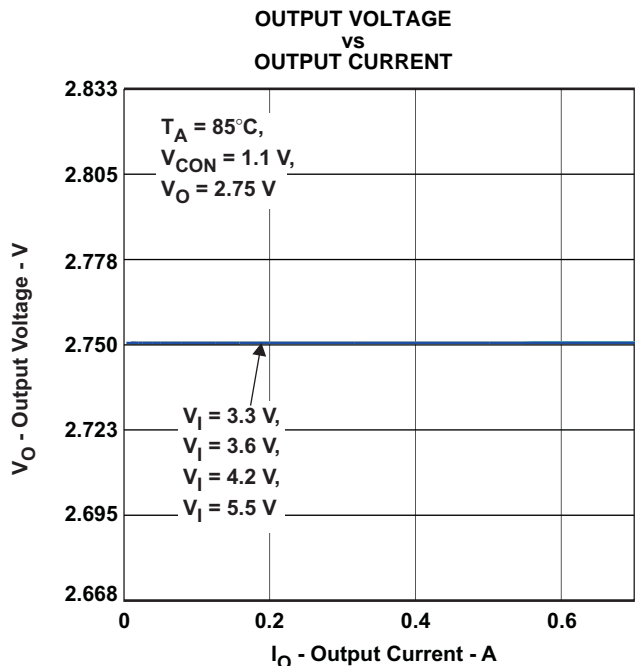


Figure 16.

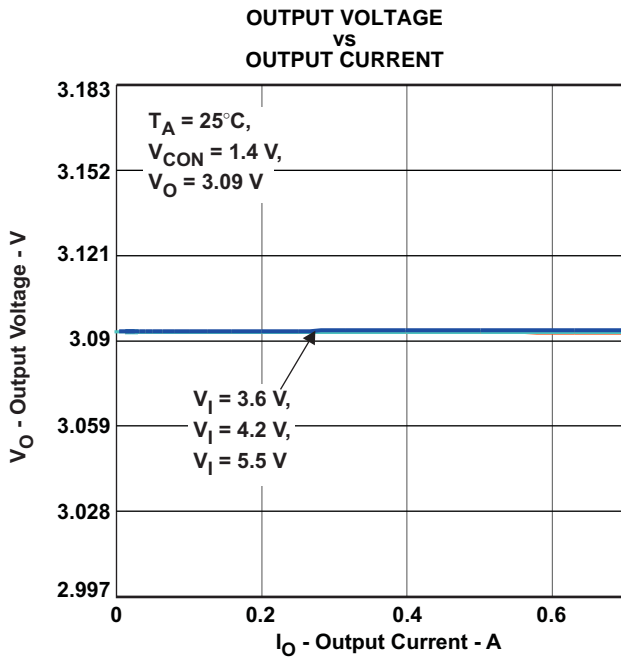


Figure 17.

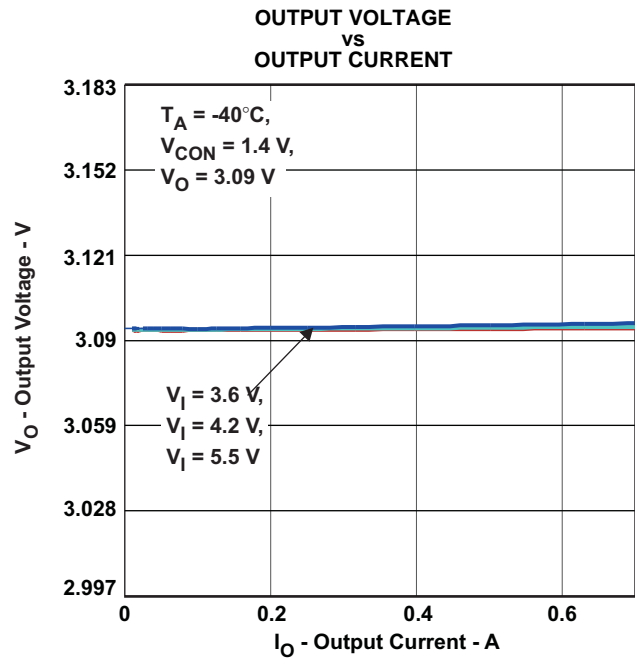


Figure 18.

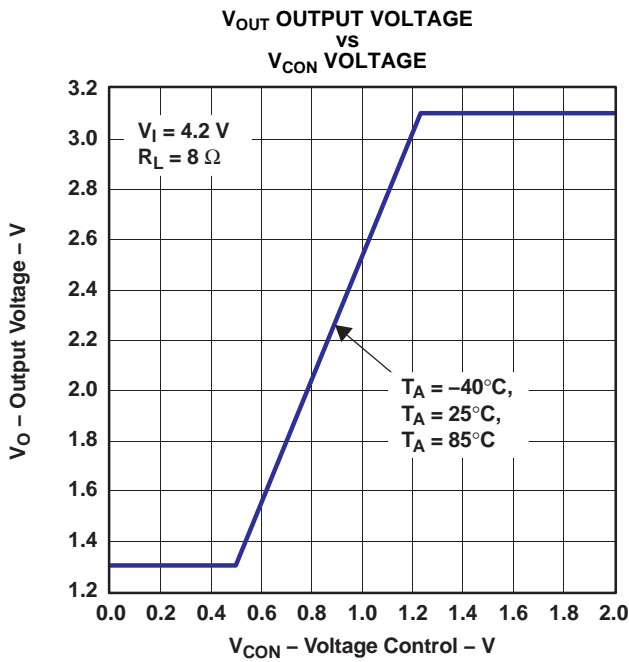


Figure 19.

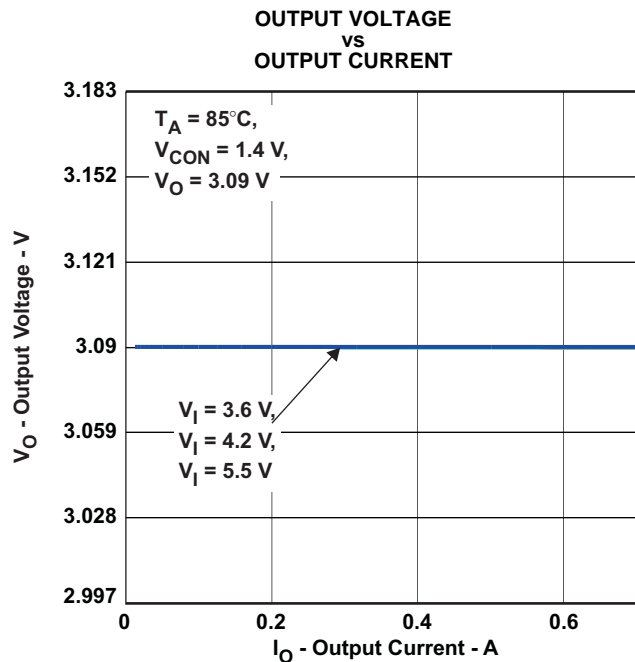
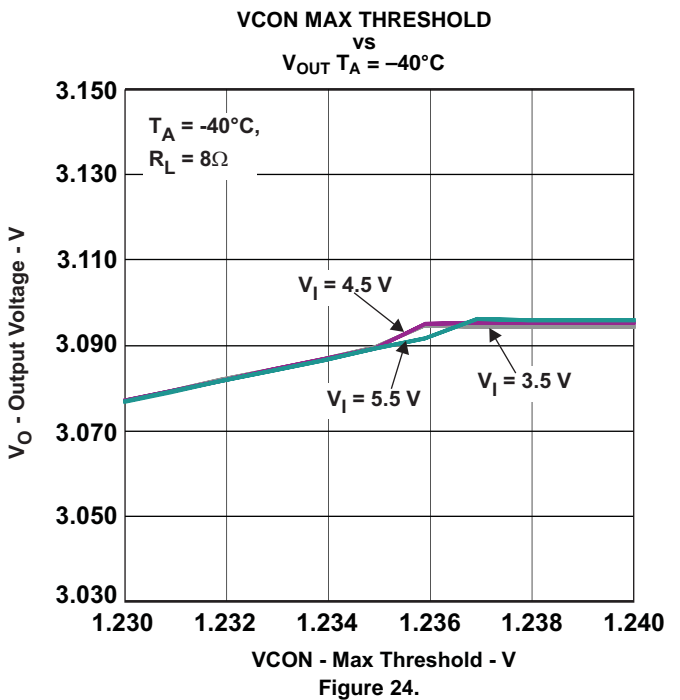
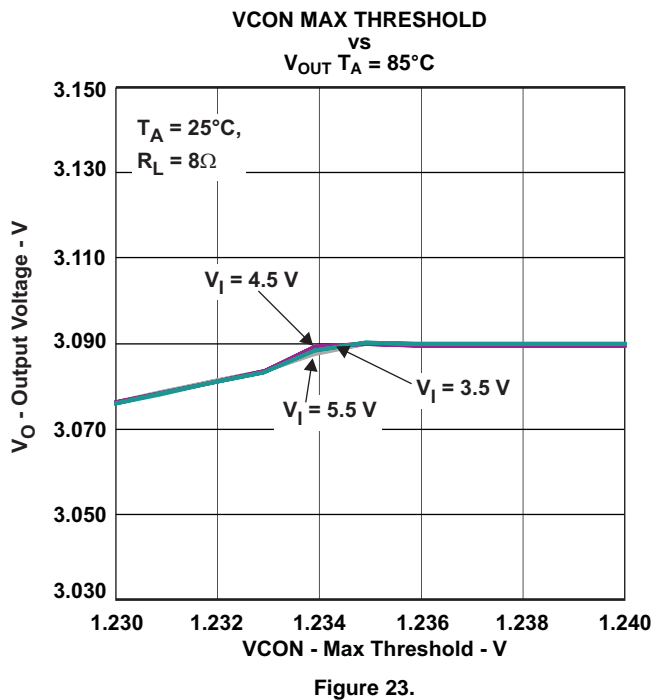
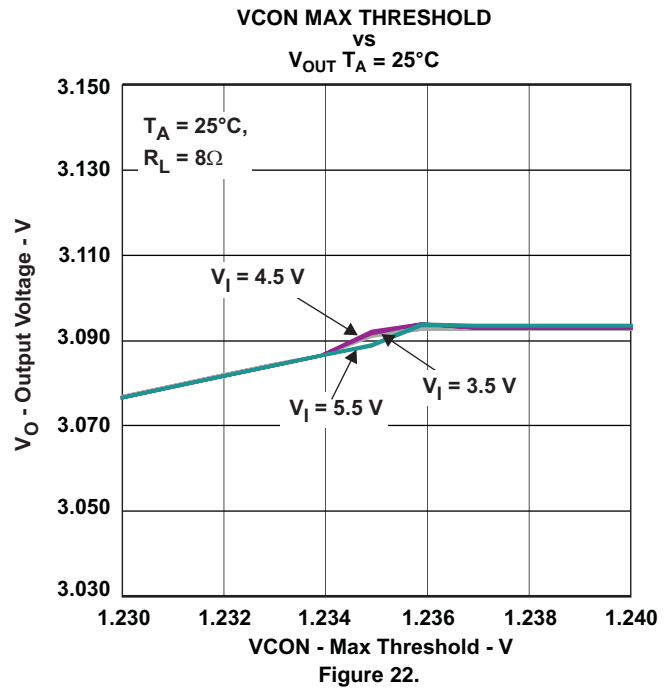
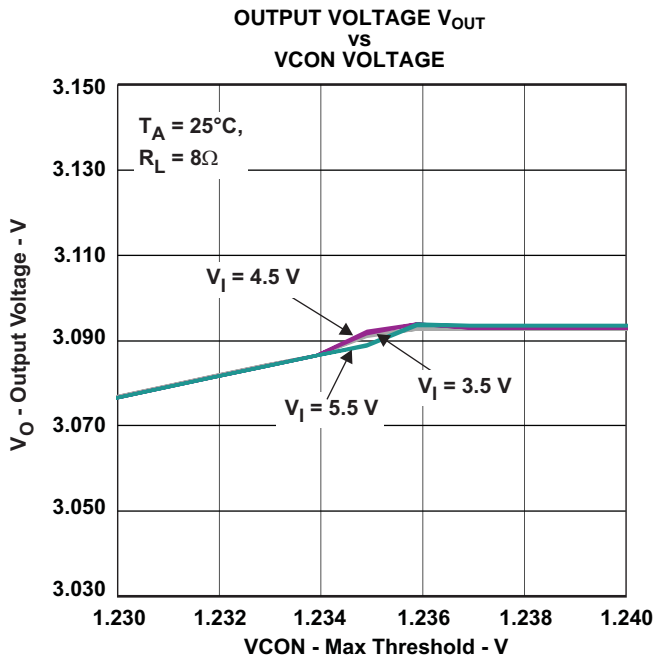


Figure 20.



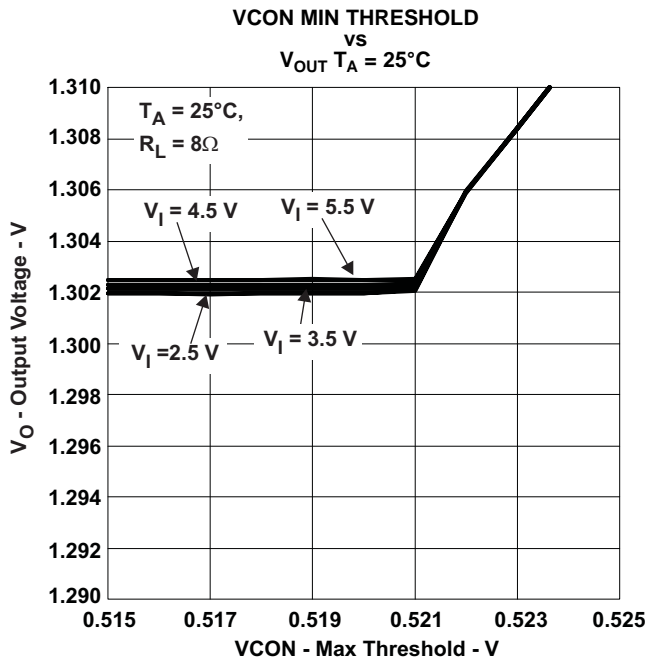


Figure 25.

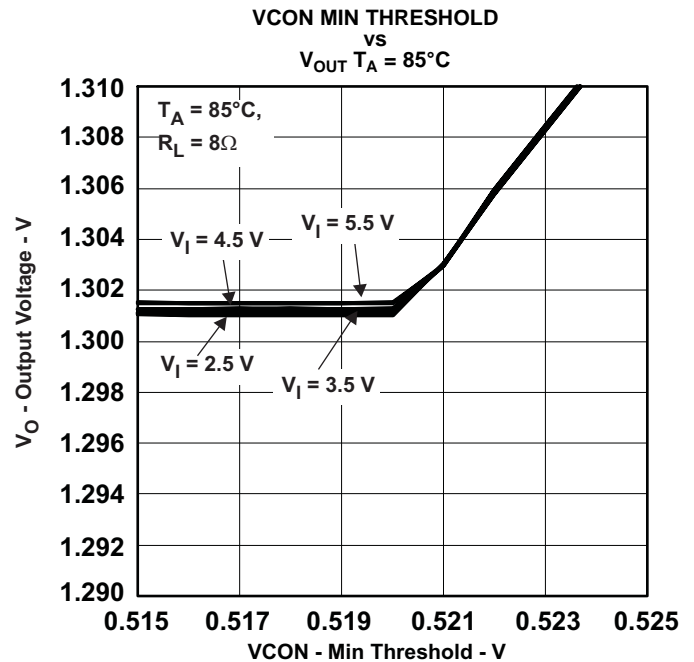


Figure 26.

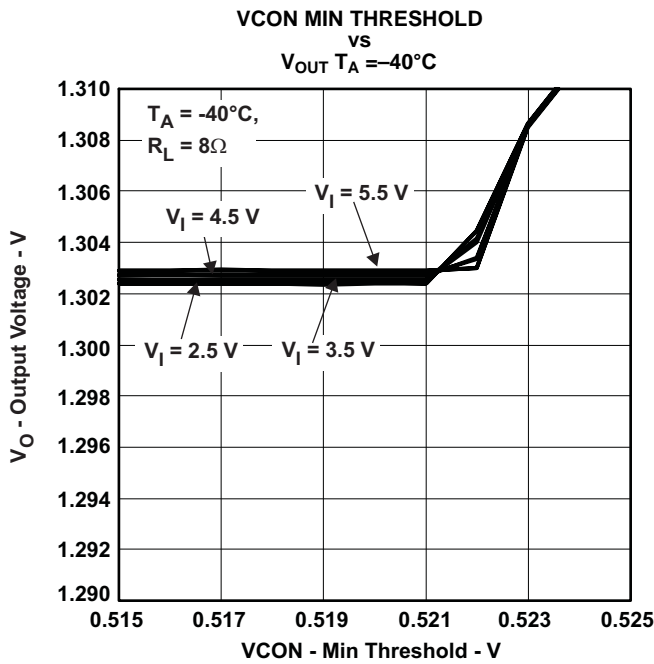


Figure 27.

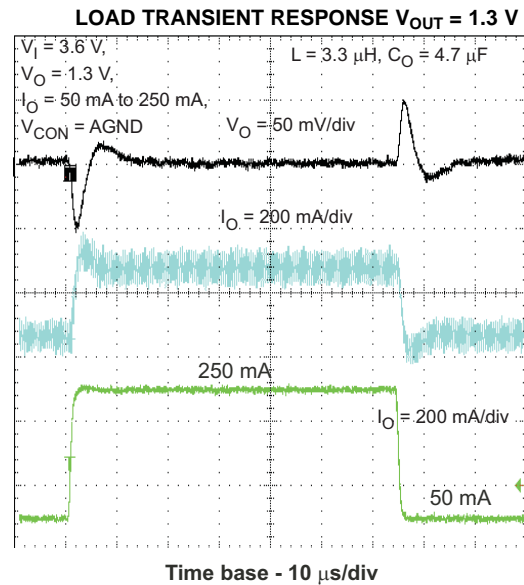


Figure 28.

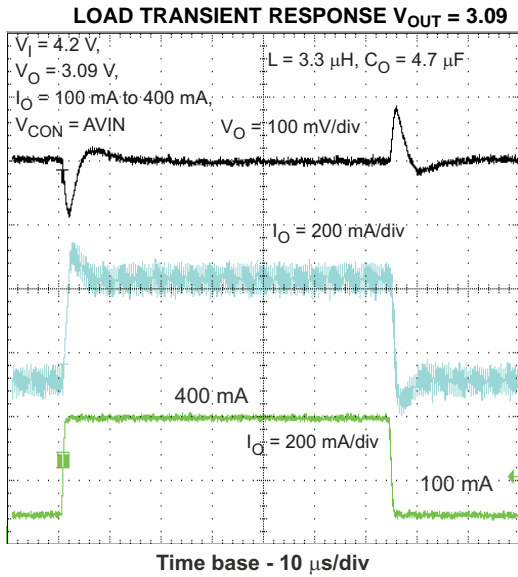


Figure 29.

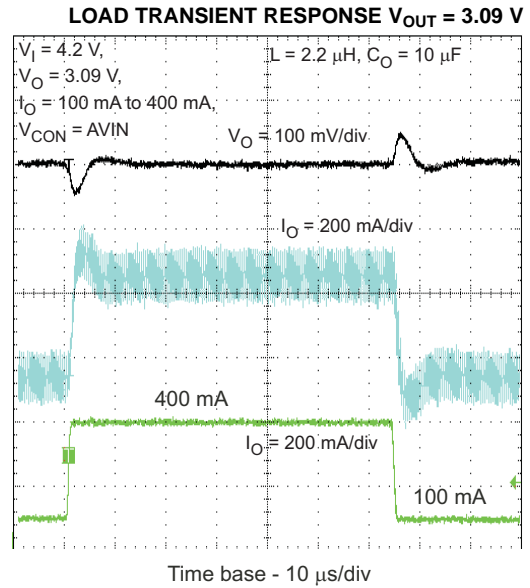


Figure 30.

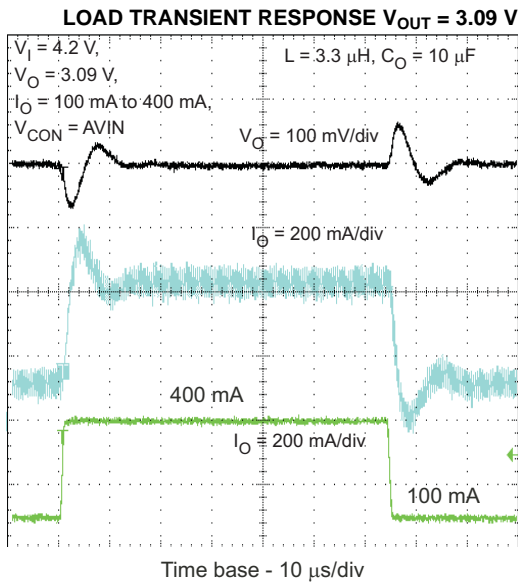


Figure 31.

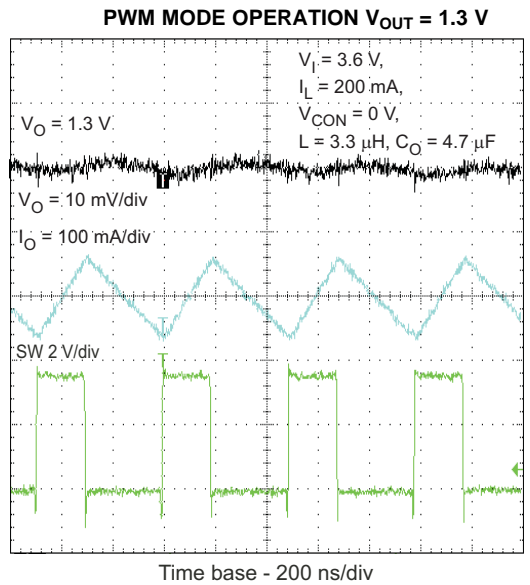


Figure 32.

PWM MODE OPERATION  $V_{OUT} = 3.09\text{ V}$

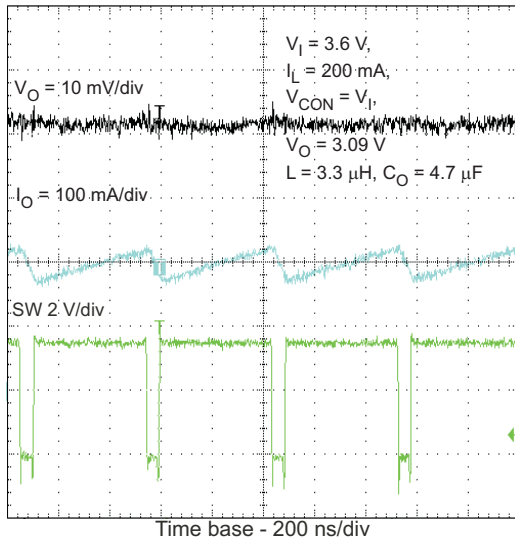


Figure 33.

OUTPUT VOLTAGE RIPPLE AT HIGH DUTY CYCLE OPERATION

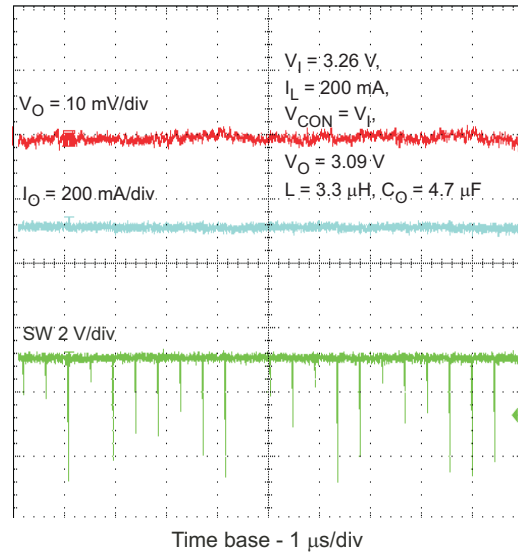


Figure 34.

VCON VOLTAGE RESPONSE

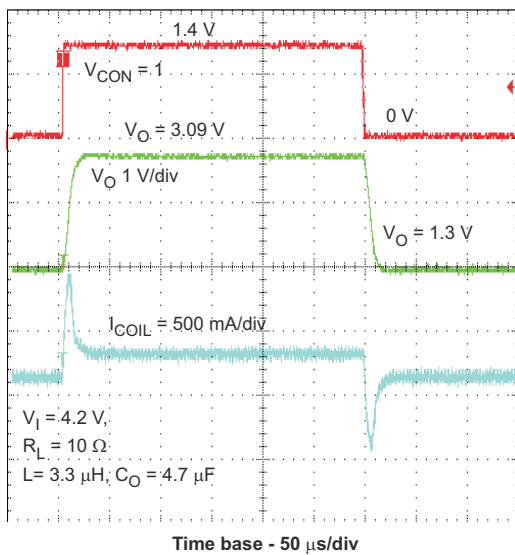


Figure 35.

VCON OUTPUT VOLTAGE RESPONSE AND SYNCHRONOUS APPLIED LOAD TRANSIENT

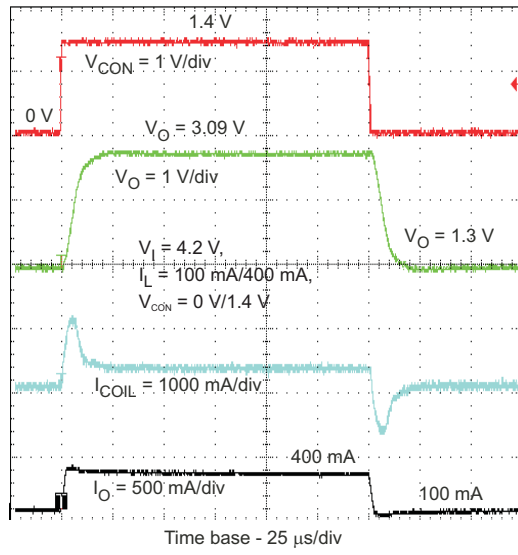


Figure 36.



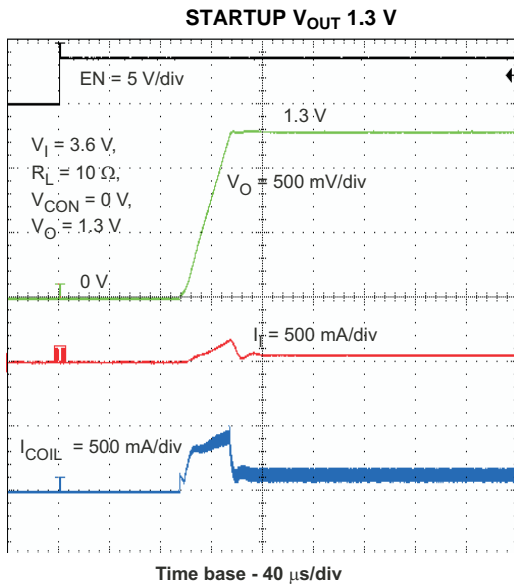


Figure 37.

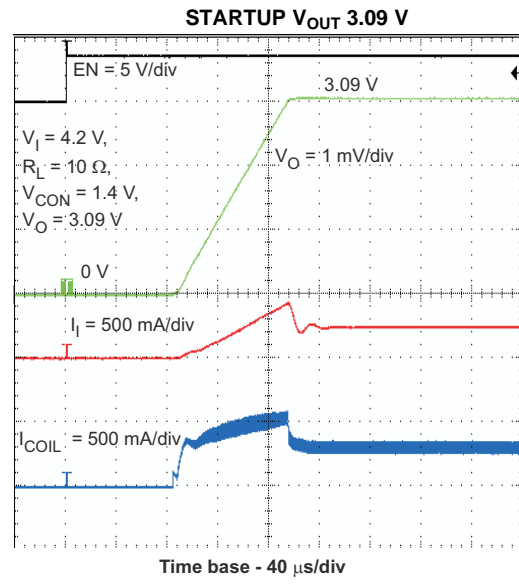


Figure 38.

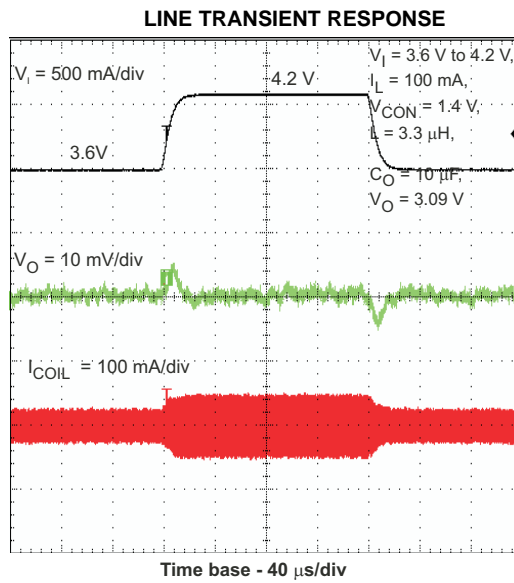


Figure 39.

APPLICATION INFORMATION

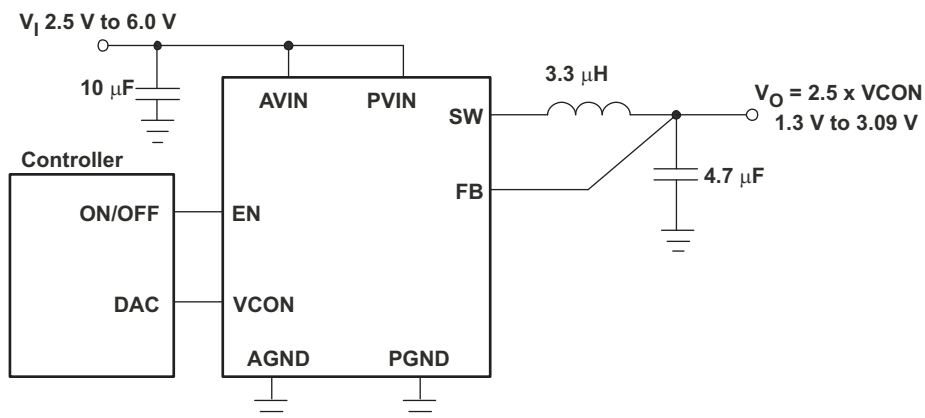


Figure 40. TPS62700 Application Circuit

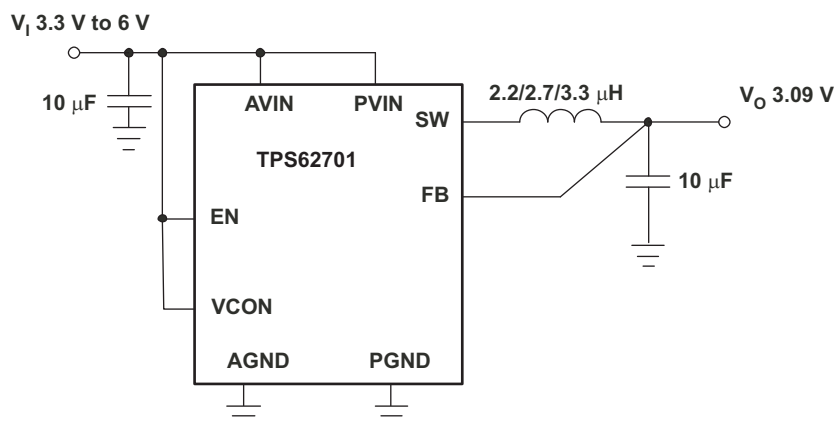


Figure 41. TPS62701 With Fixed  $V_{OUT}$  3.09 V

## OUTPUT FILTER DESIGN (INDUCTOR AND OUTPUT CAPACITOR)

### Inductor Selection

The inductor value has a direct effect on the ripple current. The selected inductor must have adequate ratings for dc resistance and saturation current. The inductor ripple current ( $\Delta I_L$ ) decreases with higher inductance and increases with higher  $V_{IN}$  or  $V_{OUT}$ .

[Equation 2](#) calculates the maximum inductor current under static load conditions. The saturation current of the inductor should be rated higher than the maximum peak inductor current as calculated with [Equation 3](#). This is recommended because during heavy load transients, the inductor current rises above the calculated value.

$$\Delta I_L = V_{OUT} \times \frac{1 - \frac{V_{OUT}}{V_{IN}}}{L \times f} \quad (2)$$

$$I_{L\_MAX} = I_{OUT\_MAX} + \frac{\Delta I_L}{2} \quad (3)$$

Where

f = Switching Frequency (2.0 MHz typical)

L = Inductor Value

$\Delta I_L$  = Peak to Peak inductor ripple current

$I_{L\_MAX}$  = Maximum Inductor current

A good approach is to select the inductor current and inductance rating for the maximum switch current limit of the TPS6270x.

Accepting larger values of ripple current allows the use of lower inductance values, but results in higher output-voltage ripple, greater core losses, and lower output-current capability.

The total losses of the inductor have a strong impact on the efficiency of the DC/DC conversion and consist of both the losses in the dc resistance ( $R_L$ ) and the following frequency-dependent components:

- The losses in the core material (magnetic hysteresis loss, especially at high switching frequencies)
- Additional losses in the conductor from the skin effect (current displacement at high frequencies)
- Magnetic-field losses of the neighboring windings (proximity effect)
- Radiation losses

**Table 1. List Of Inductors**

DIMENSIONS (mm)	INDUCTOR Series	SUPPLIER
2,5 × 2,0 × 1,2	KSLI-252012AG	Hitachi Metals
2,5 × 2,0 × 1,2	MIPSA2520	FDK
2,5 × 2,0 × 1,2	LQM2HPN	Murata
2,8 × 2,6 × 1,4	VLF3014AT	TDK
3,9 × 3,9 × 1,7	LPS4018	Coilcraft

**Output Capacitor Selection**

The advanced, fast-response, voltage-mode control scheme of the TPS6270x allows the use of tiny ceramic capacitors. Ceramic capacitors with low ESR values have the lowest output-voltage ripple and are recommended. The output capacitor requires either an X7R or X5R dielectric. Y5V and Z5U dielectric capacitors, aside from their wide variation in capacitance over temperature, become resistive at high frequencies.

At nominal load current, the device operates in PWM mode, and the RMS ripple current is calculated as:

$$I_{RMS\text{Cout}} = V_{OUT} \times \frac{1 - \frac{V_{OUT}}{V_{IN}}}{L \times f} \times \frac{1}{2 \times \sqrt{3}} \tag{4}$$

At nominal load current, the device operates in PWM mode and the overall output voltage ripple is the sum of the voltage spike caused by the output capacitor ESR plus the voltage ripple caused by charging and discharging the output capacitor:

$$\Delta V_{OUT} = V_{OUT} \times \frac{1 - \frac{V_{OUT}}{V_{IN}}}{L \times f} \times \left( \frac{1}{8 \times C_{out} \times f} + ESR \right) \tag{5}$$

**Input Capacitor Selection**

Because of the nature of the buck converter due to its pulsating input current, a low-ESR input capacitor is required for best input-voltage filtering, and to minimize interference with other circuits caused by high input-voltage spikes. For most applications, a 10-μF ceramic capacitor is recommended. The input capacitor can be increased without any limit for better input-voltage filtering.

Take care when using only small ceramic input capacitors. When a ceramic capacitor is used at the input and the power is being supplied through long wires, such as from a wall adapter, a load step at the output or  $V_{IN}$  step on the input can induce ringing at the VIN pin. This ringing can couple to the output and be mistaken as loop instability or could even damage the part by exceeding the maximum ratings.

**List Of Capacitors**

Size	Capacitance μF	TYPE	SUPPLIER
0603	4.7	GRM188R60J475K	Murata
0603	10	GRM188R60J106M	Murata

## LAYOUT CONSIDERATIONS

As for all switching power supplies, the PCB layout is an important step in the design. Proper function of the device demands careful attention to PCB layout. Care must be taken in board layout to achieve the specified performance. If the layout is not carefully done, the regulator could show poor line and/or load regulation, stability issues, as well as EMI problems. It is critical to provide a low-inductance, low-impedance ground path. Therefore, use wide, short traces for the main current paths. The input capacitor should be placed as close as possible to the IC pins PVIN and PGND. The inductor and output capacitor should be placed close to SW and PGND.

The FB line should be connected directly to the output capacitor and routed away from noisy components and traces (e.g., SW line).

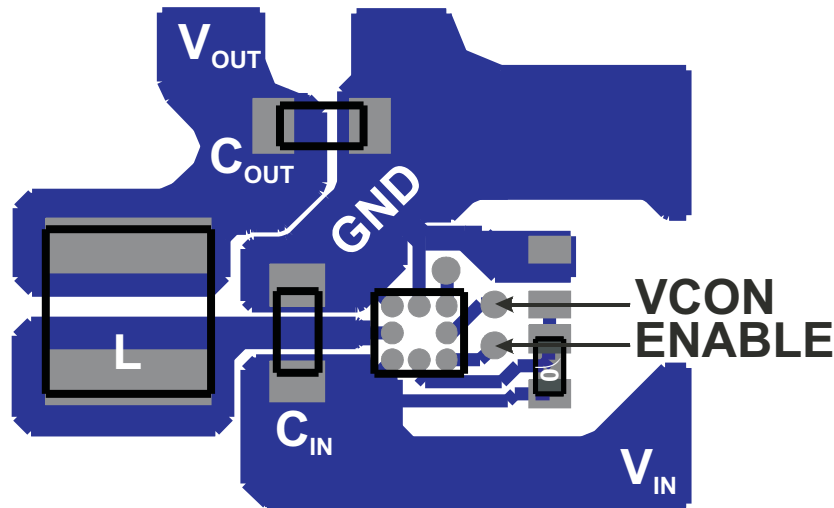
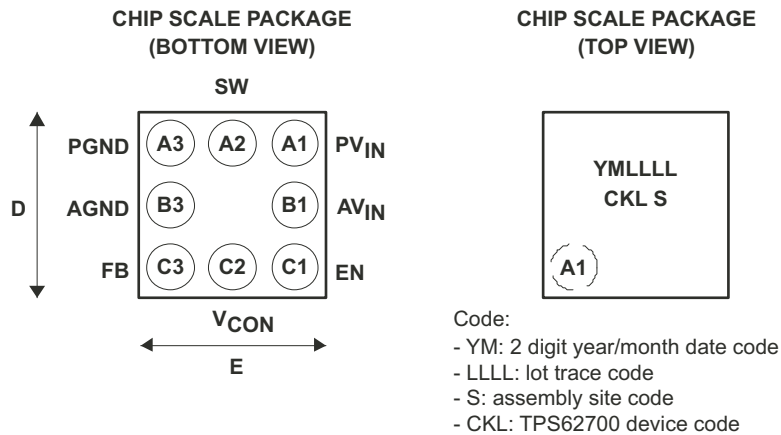


Figure 42. Suggested Board Layout

## PACKAGE SUMMARY



## PACKAGE DIMENSIONS

Dimension D	Dimension E2
1,64 mm ± 0,03mm	1,5 mm ± 0,03

**TAPE AND REEL INFORMATION**



**QUADRANT ASSIGNMENTS FOR PIN 1 ORIENTATION IN TAPE**



\*All dimensions are nominal

Device	Package Type	Package Drawing	Pins	SPQ	Reel Diameter (mm)	Reel Width W1 (mm)	A0 (mm)	B0 (mm)	K0 (mm)	P1 (mm)	W (mm)	Pin1 Quadrant
TPS62701YZFR	DSBGA	YZF	8	3000	178.0	8.4	1.6	1.74	0.81	4.0	8.0	Q1

**TAPE AND REEL BOX DIMENSIONS**

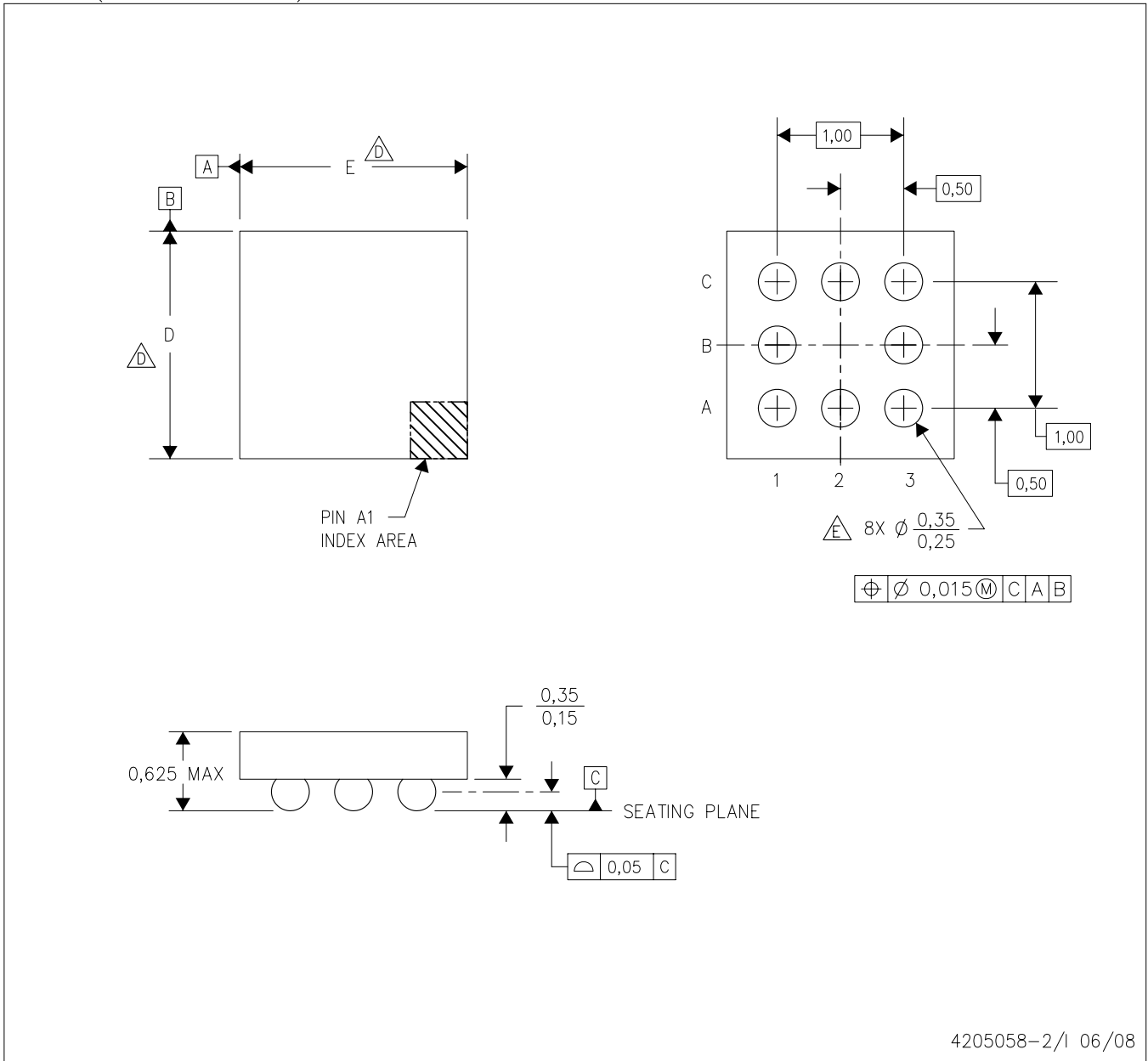


\*All dimensions are nominal


Device	Package Type	Package Drawing	Pins	SPQ	Length (mm)	Width (mm)	Height (mm)
TPS62701YZFR	DSBGA	YZF	8	3000	217.0	193.0	35.0

YZF (S-XBGA-N8)

DIE-SIZE BALL GRID ARRAY



4205058-2/1 06/08

- NOTES:
- A. All linear dimensions are in millimeters.
  - B. This drawing is subject to change without notice.
  - C. NanoFree™ package configuration.
  -  Devices in YZF package can have dimension D ranging from 1.44 to 2.15 mm and dimension E ranging from 1.44 to 2.15 mm. To determine the exact package size of a particular device, refer to the device datasheet or contact a local TI representative.
  - E. Reference Product Data Sheet for array population. 3 x 3 matrix pattern is shown for illustration only.
  - F. This package contains lead-free balls.

NanoFree is a trademark of Texas Instruments.



## IMPORTANT NOTICE

Texas Instruments Incorporated and its subsidiaries (TI) reserve the right to make corrections, modifications, enhancements, improvements, and other changes to its products and services at any time and to discontinue any product or service without notice. Customers should obtain the latest relevant information before placing orders and should verify that such information is current and complete. All products are sold subject to TI's terms and conditions of sale supplied at the time of order acknowledgment.

TI warrants performance of its hardware products to the specifications applicable at the time of sale in accordance with TI's standard warranty. Testing and other quality control techniques are used to the extent TI deems necessary to support this warranty. Except where mandated by government requirements, testing of all parameters of each product is not necessarily performed.

TI assumes no liability for applications assistance or customer product design. Customers are responsible for their products and applications using TI components. To minimize the risks associated with customer products and applications, customers should provide adequate design and operating safeguards.

TI does not warrant or represent that any license, either express or implied, is granted under any TI patent right, copyright, mask work right, or other TI intellectual property right relating to any combination, machine, or process in which TI products or services are used. Information published by TI regarding third-party products or services does not constitute a license from TI to use such products or services or a warranty or endorsement thereof. Use of such information may require a license from a third party under the patents or other intellectual property of the third party, or a license from TI under the patents or other intellectual property of TI.

Reproduction of TI information in TI data books or data sheets is permissible only if reproduction is without alteration and is accompanied by all associated warranties, conditions, limitations, and notices. Reproduction of this information with alteration is an unfair and deceptive business practice. TI is not responsible or liable for such altered documentation. Information of third parties may be subject to additional restrictions.

Resale of TI products or services with statements different from or beyond the parameters stated by TI for that product or service voids all express and any implied warranties for the associated TI product or service and is an unfair and deceptive business practice. TI is not responsible or liable for any such statements.

TI products are not authorized for use in safety-critical applications (such as life support) where a failure of the TI product would reasonably be expected to cause severe personal injury or death, unless officers of the parties have executed an agreement specifically governing such use. Buyers represent that they have all necessary expertise in the safety and regulatory ramifications of their applications, and acknowledge and agree that they are solely responsible for all legal, regulatory and safety-related requirements concerning their products and any use of TI products in such safety-critical applications, notwithstanding any applications-related information or support that may be provided by TI. Further, Buyers must fully indemnify TI and its representatives against any damages arising out of the use of TI products in such safety-critical applications.

TI products are neither designed nor intended for use in military/aerospace applications or environments unless the TI products are specifically designated by TI as military-grade or "enhanced plastic." Only products designated by TI as military-grade meet military specifications. Buyers acknowledge and agree that any such use of TI products which TI has not designated as military-grade is solely at the Buyer's risk, and that they are solely responsible for compliance with all legal and regulatory requirements in connection with such use.

TI products are neither designed nor intended for use in automotive applications or environments unless the specific TI products are designated by TI as compliant with ISO/TS 16949 requirements. Buyers acknowledge and agree that, if they use any non-designated products in automotive applications, TI will not be responsible for any failure to meet such requirements.

Following are URLs where you can obtain information on other Texas Instruments products and application solutions:

### Products

Amplifiers	<a href="http://amplifier.ti.com">amplifier.ti.com</a>
Data Converters	<a href="http://dataconverter.ti.com">dataconverter.ti.com</a>
DSP	<a href="http://dsp.ti.com">dsp.ti.com</a>
Clocks and Timers	<a href="http://www.ti.com/clocks">www.ti.com/clocks</a>
Interface	<a href="http://interface.ti.com">interface.ti.com</a>
Logic	<a href="http://logic.ti.com">logic.ti.com</a>
Power Mgmt	<a href="http://power.ti.com">power.ti.com</a>
Microcontrollers	<a href="http://microcontroller.ti.com">microcontroller.ti.com</a>
RFID	<a href="http://www.ti-rfid.com">www.ti-rfid.com</a>
RF/IF and ZigBee® Solutions	<a href="http://www.ti.com/lprf">www.ti.com/lprf</a>

### Applications

Audio	<a href="http://www.ti.com/audio">www.ti.com/audio</a>
Automotive	<a href="http://www.ti.com/automotive">www.ti.com/automotive</a>
Broadband	<a href="http://www.ti.com/broadband">www.ti.com/broadband</a>
Digital Control	<a href="http://www.ti.com/digitalcontrol">www.ti.com/digitalcontrol</a>
Medical	<a href="http://www.ti.com/medical">www.ti.com/medical</a>
Military	<a href="http://www.ti.com/military">www.ti.com/military</a>
Optical Networking	<a href="http://www.ti.com/opticalnetwork">www.ti.com/opticalnetwork</a>
Security	<a href="http://www.ti.com/security">www.ti.com/security</a>
Telephony	<a href="http://www.ti.com/telephony">www.ti.com/telephony</a>
Video & Imaging	<a href="http://www.ti.com/video">www.ti.com/video</a>
Wireless	<a href="http://www.ti.com/wireless">www.ti.com/wireless</a>

Mailing Address: Texas Instruments, Post Office Box 655303, Dallas, Texas 75265  
Copyright © 2008, Texas Instruments Incorporated